

GATE VALVE / 6000 RESILIENT SEATED - DUCTILE IRON (F4)



PN 10-16
DN40 → DN600

PRODUCTION STANDARDS

DESIGN	TS EN 1171
END CONNECTION	FLANGED TS EN 1092-2 / ISO 7005-2
FACE TO FACE	TS EN 558 Seri 14 / DIN 3202 F4
TEST	TS EN 12266-1
MARKING	TS EN 19

FEATURES

- FAF6000 PN10/16 Resilient Seated Gate Valve is operating by the EPDM covered iron wedge moving perpendicular to the flow axis through a worm machined stem multi turned
- %100 tight sealing is achieved through EPDM covered wedge fully contacting the fusion bonded epoxy coated flow surface
- In each time the valve is opened, the flow on the line cleans the sealing surface, prevents from dirt and deposits
- With its short installation length(DIN 3202 F4), doesnot occupy a big place
- It has ductile iron body and stainless steel stem
- Inner and outer surfaces are coated with minimum 250 microns fusion bonded epoxy
- Suitable to install actuator and gearbox
- Suitable to use with ground and underground applications. Can be operated with extension spindle
- Very low head loss rating. Can be operated with lower torque ratings, no maintenance needed

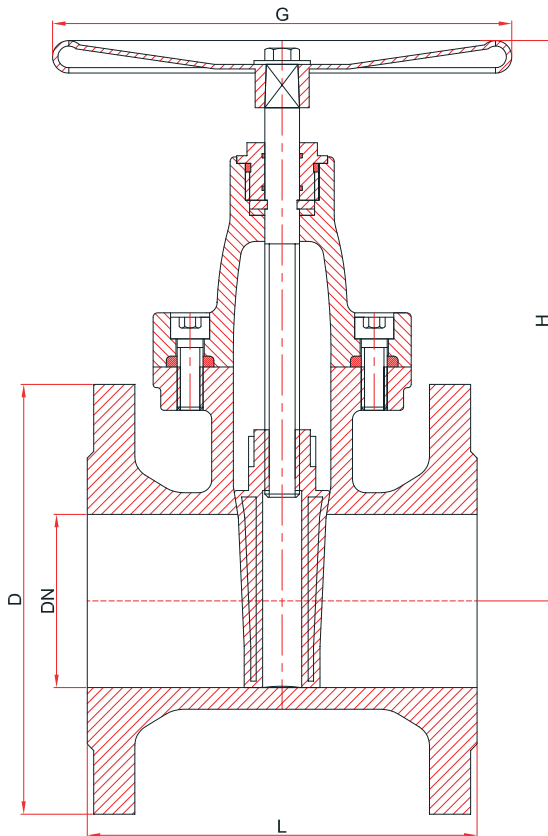
APPLICATIONS

Hot Water, Cold Water, Fluids without acidity or alkalinity properties

TEMPERATURE

+130 °C

TECHNICAL DRAWING



MATERIAL SELECTION

BODY	EN-GJS-400 DUCTILE IRON (GGG40) EN-GJS-500 DUCTILE IRON (GGG50)
GATE	EPDM COATED DUCTILE IRON
STEM	1.4021 - AISI 420 STAINLESS STEEL
SEALING	EPDM
COATING	ELECTROSTATIC POWDER EPOXY

DN	DIMENSION				RATINGS			PN16			
	Ømm	D	L	H	G	KV m ³ /h	Tork Nm	Weight Kg	STUD SIZE	BOLT / NUT QTY	FASTENING MOMENT Nm
40	150	140	190	160	117	45	8,5	M16X65	4X2	205	24
50	165	150	230	160	196	52	9	M16X65	4X2	205	24
65	185	170	255	200	320	57	11,9	M16X65	4X2	205	24
80	200	180	280	200	510	65	14,5	M16X70	8X2	205	24
100	220	190	325	200	845	70	18,9	M16X75	8X2	205	24
125	250	200	350	250	1310	85	24,1	M16X80	8X2	205	24
150	285	210	390	250	1996	115	31,7	M20X80	8X2	400	30
200	340	230	500	320	3790	160	47,3	M20X90	12X2	400	30
250	405	250	620	350	6030	325	83,7	M24X100	12X2	691	36
300	460	270	690	350	8680	345	100,5	M24X100	12X2	691	36
350	520	290	785	450	12000	460	172	M24X110	16x2	691	36
400	580	310	900	500	16000	515	225	M27X120	16x2	1010	41
500	715	350	1000	600	23000	690	840	M30X130	20X2	1370	46
600	840	390	1200	600	37000	1150	1215	M33X140	20X2	1900	50

Valves can be produced with bigger sizes when requested.