

BUTTERFLY VALVE / 3550 WAFER-DUCTILE DISC



PN 6-10-16
DN 40 → DN 300

PRODUCTION STANDARDS

DESIGN	TS EN 593
END CONNECTION	WAFER TYPE TS EN 1092-1 / ISO 7005-1
FACE TO FACE	TS EN 558 Seri 20 ISO 5752 Seri 20
TEST	TS EN 12266-1
MARKING	TS EN 19

FEATURES

- FAF 3550 wafer type butterfly valve with ductile iron disc is installed in upright axis to the pipeline, quarter turn (90 degree) operating disc, maintains %100 tight sealing in either direction through the sleeve robed into inner walls of the valve body
- Installed between two flanges
- Can be used for the purpose of open/close and proportional flow control
- Equipped with ductile iron disc and can be used in various flow types and different applications with the EPDM, NBR and VITON sleeve options
- Compared to other valve types, with its small

dimensions offers the advantages of lightweight, easy installation and cost effectiveness

- Head loss is at minimum level through the double shaft design of FAF Valve
- The inner and outer surfaces of valve body is coated with electrostatic fusion bonded epoxy(FBE) / oven backed powder epoxy coating. Smooth operation and longer life is maintained in very tough conditions
- Electrical or Pneumatic actuators directly fit on valve top flange. No need for any additional intermediary parts.

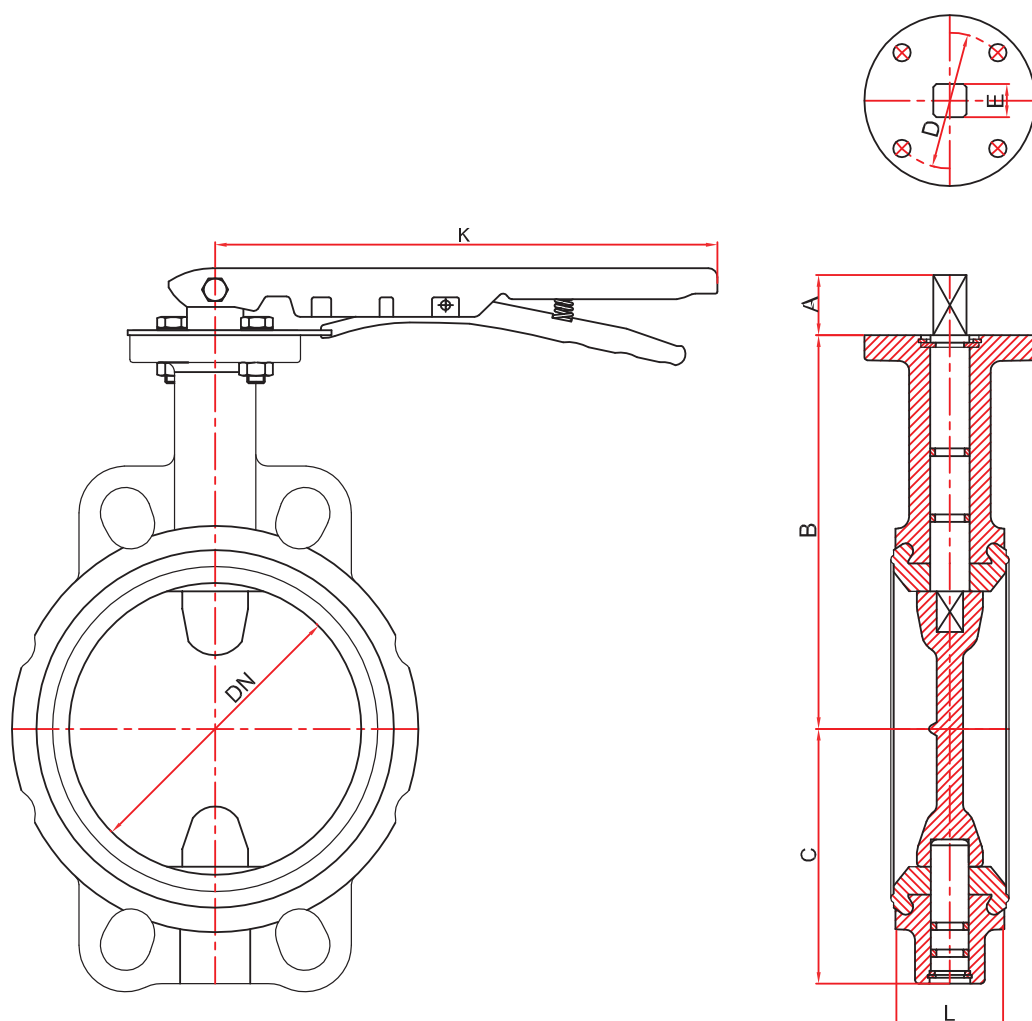
APPLICATIONS

Hot Water, Cold Water, Steam, Waste Water, Water distribution, Water treatment, HVAC Systems, Textile, Chemical industry, Food industry, Oil&Gas industry

TEMPERATURE

- +130 °C (EPDM)
- +100 °C (NBR)
- +220 °C (VITON)

TECHNICAL DRAWING



MATERIAL SELECTION

BODY	EN-GJL-250 CAST IRON (GG25) EN-GJS-400 DUCTILE IRON (GGG40)
DISC	EN-GJS-400 DUCTILE IRON (GGG40)+ NICKEL COATING
STEM	1.4021 - AISI 420 STAINLESS STEEL
SEALING	EPDM NBR VITON
COATING	ELECTROSTATIC POWDER EPOXY

DN	DIMENSION							RATINGS			STUD SIZE	BOLT/NUT QTY	FASTENING MOMENT Nm	WRENCH SIZE (mm)
	Ømm	A	B	C	D	E	K	L	KV m ³ /h	Tork Nm				
40	30	122	56	50	11x11	216	33	56	12	2,3	M16x100	4	205	24
50	30	127,5	61	50	11x11	216	43	105	21	2,8	M16x110	4	205	24
65	30	134	70	50	11x11	216	46	226	32	3,5	M16x110	4	205	24
80	30	157	92	50	11x11	216	46	417	40	3,9	M16x110	8	205	24
100	30	167	101	70	14x14	259	52	617	45	6	M16x120	8	205	24
125	30	180	116	70	14x14	259	56	1424	52	7,4	M16x130	8	205	24
150	30	203	131	70	17x17	259	56	2212	70	9	M20x130	8	400	30
200	30	228	164	102	17x17	350	60	4391	105	15,1	M20x140	12	400	30
250	30	266	197	102	22x22	375	68	9001	275	21,9	M24x160	12	691	36
300	30	291	223	102	22x22	375	78	9756	370	33,3	M24x170	12	691	36