

GATE VALVE / 6200 RESILIENT SEATED - DUCTILE IRON (F5)



PN 10 - 16
DN50 → DN600

PRODUCTION STANDARDS

DESIGN	TS EN 1171
END CONNECTION	FLANGED TS EN 1092-2 / ISO 7005-2
FACE TO FACE	TS EN 558 Seri 15 / DIN 3202 F5
TEST	TS EN 12266-1
MARKING	TS EN 19

FEATURES

- FAF6200 PN10/16 Resilient Seated Gate Valve is operating by the EPDM covered iron wedge moving perpendicular to the flow axis through a worm machined stem multi turned
- %100 tight sealing is achieved through EPDM covered wedge fully contacting the fusion bonded epoxy coated flow surface
- In each time the valve is opened, the flow on the line cleans the sealing surface, prevents from dirt and deposits
- The design standard of the valve dimension is according to DIN3202 F5
- It has ductile iron body and stainless steel stem
- Inner and outer surfaces are coated with minimum 250 microns fusion bonded epoxy
- Suitable to install actuator and gearbox
- Suitable to use with ground and underground applications. Can be operated with extension spindle
- Very low head loss rating. Can be operated with lower torque ratings, no maintenance needed

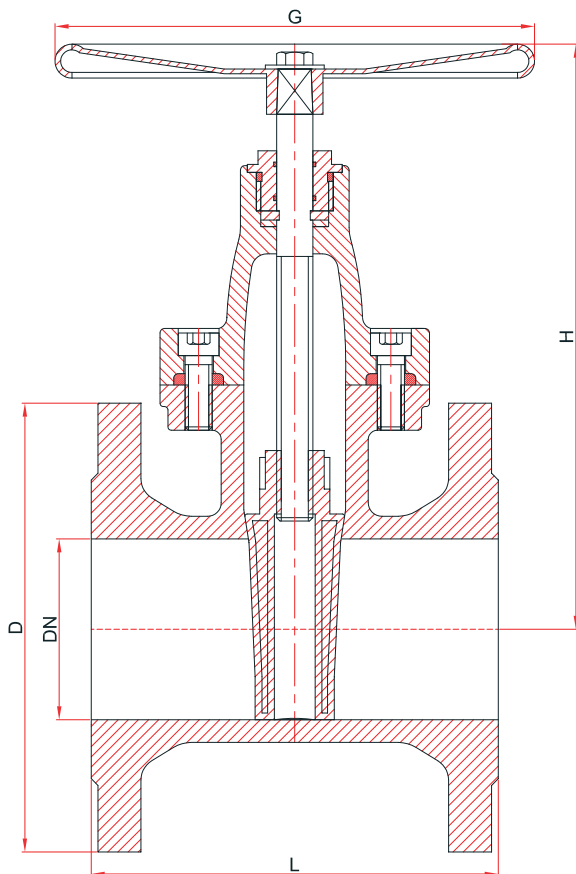
APPLICATIONS

Hot Water, Cold Water, Fluids without acidity or alkalinity properties

TEMPERATURE

+130 °C

TECHNICAL DRAWING



MATERIAL SELECTION

BODY	EN-GJS-400 DUCTILE IRON (GGG40) EN-GJS-500 DUCTILE IRON (GGG50)
GATE	EPDM COATED DUCTILE IRON
STEM	1.4021 - AISI 420 STAINLESS STEEL
SEALING	EPDM
COATING	ELECTROSTATIC POWDER EPOXY

DN	DIMENSION				RATINGS			PN16			
	mm	D	L	H	G	KV m ³ /h	Tork Nm	Weight Kg	STUD SIZE	BOLT/NUT QTY	FASTENING MOMENT Nm
50	165	250	225	160	196	52	12	M16X65	4X2	205	24
65	185	270	255	200	320	57	15	M16X65	4X2	205	24
80	200	280	290	200	510	65	20	M16X70	8X2	205	24
100	220	300	330	200	845	70	26	M16X75	8X2	205	24
125	250	325	380	250	1310	85	39	M16X80	8X2	205	24
150	285	350	415	250	1996	115	57	M20X80	8X2	400	30
200	340	400	480	320	3790	160	90	M20X90	12X2	400	30
250	405	450	555	350	6030	325	125	M24X100	12X2	691	36
300	460	500	650	350	8680	345	135	M24X100	12X2	691	36
350	520	550	775	450	12000	460	200	M24X110	16X2	691	36
400	580	600	850	500	16000	515	350	M27X120	16X2	1010	41
500	715	700	1000	600	23000	690	470	M30X130	20X2	1370	46
600	840	800	1200	600	37000	1150	630	M33X140	20X2	1900	50