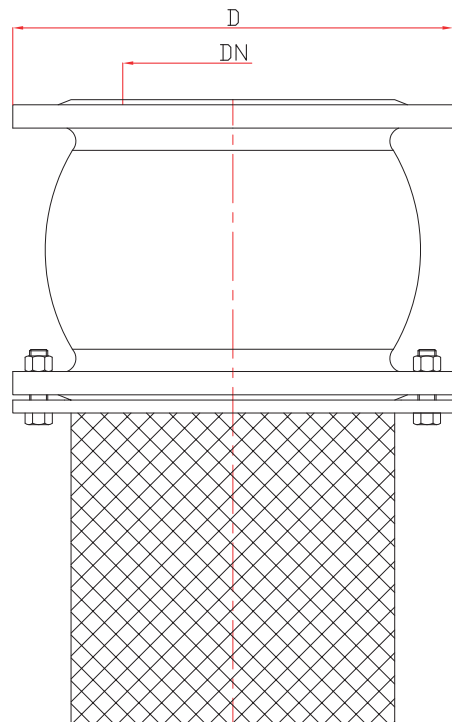


FOOT VALVE / 7200



PN 16
DN100 → DN600

FEATURES

- FAF7200 Foot Valve is an installation instrument used in pump suction lines in order to prevent discharge of the fluid to the reservoir when system is in static position and prevent waterless operation of the pump when started
- Its structure is made from the combination of filter and check valve
- Through its filter, the clean fluid transfer to the pump is maintained
- The spring check valve inside the body prevents the backflow and discharge of the pipeline
- Used at pipeline edges inside the reservoir. Suitable to use on clean water lines

APPLICATIONS

Distribution Lines, Industrial Applications

TEMPERATURE

+130 °C