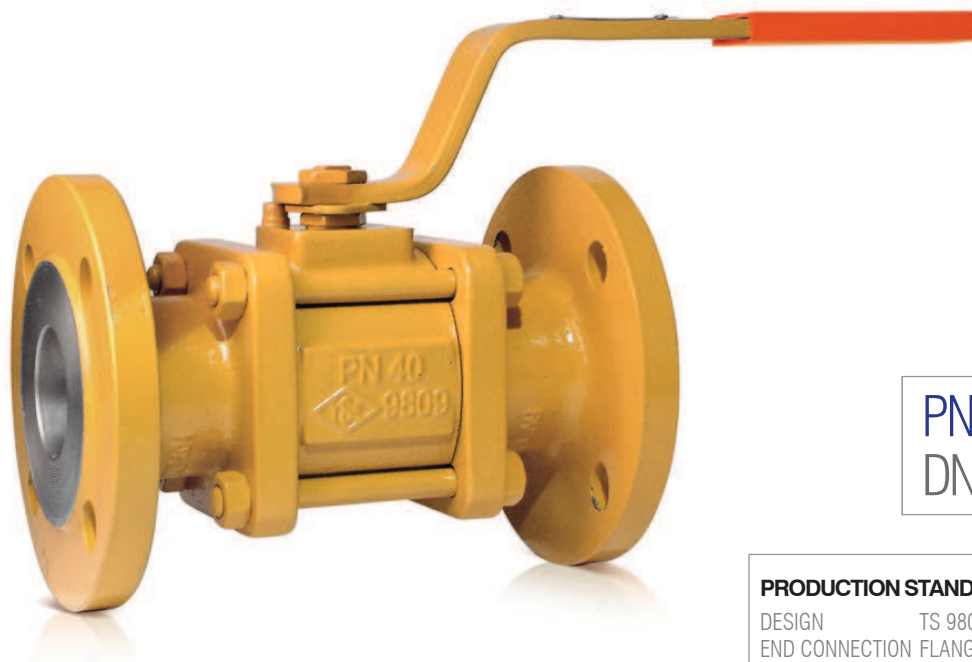


BALL VALVE / 1400 PN40 - FLANGED



PN 40
DN15 → DN150

PRODUCTION STANDARDS

DESIGN	TS 9809 / TS EN 331
END CONNECTION	FLANGED TS EN 1092-2 / ISO 7005-2
FACE-TO-FACE	TS 9809 Sheet5 / TS EN 331
DIMENSION	DN15...DN125 = TS EN 558 Seri 1 / DIN3202 F1 DN150 = TS EN 558 Seri 28 / DIN3202 F7
TEST	TS EN 12266-1 / TS 9809 / TS EN 331
MARKING	TS EN 19 / TS EN 331 / TS 9809

FEATURES

- FAF 1400, PN 16 flanged ball valve is operating by a ball having a hole with the same size as the flow section, through the help of the stem, rotating quarter turn(90 degree) between teflon seats where the ball to be parallel or perpendicular to the flow axis
- Can be installed bidirectional
- Through the stainless steel belleville spring reinforced teflon (PTFE) seats, %100 tight sealing is achieved in lowest and highest pressure ratings
- The well accordance of teflon material with various flow types and its resistance to higher temperatures enables it to be used in wide range of applications
- It has stainless steel ball and ductile iron body
- It is appropriate to be used in fully open or fully closed position
- In fully open position, since there is no reduction in flow section, the head loss is nearly zero
- Can be operated with lower torque Ratings
- Suitable to install actuator and gearbox
- Reduced bore alternative is available.(FAF1450 – Reduced bore PN40 Ball Valve for Gas)

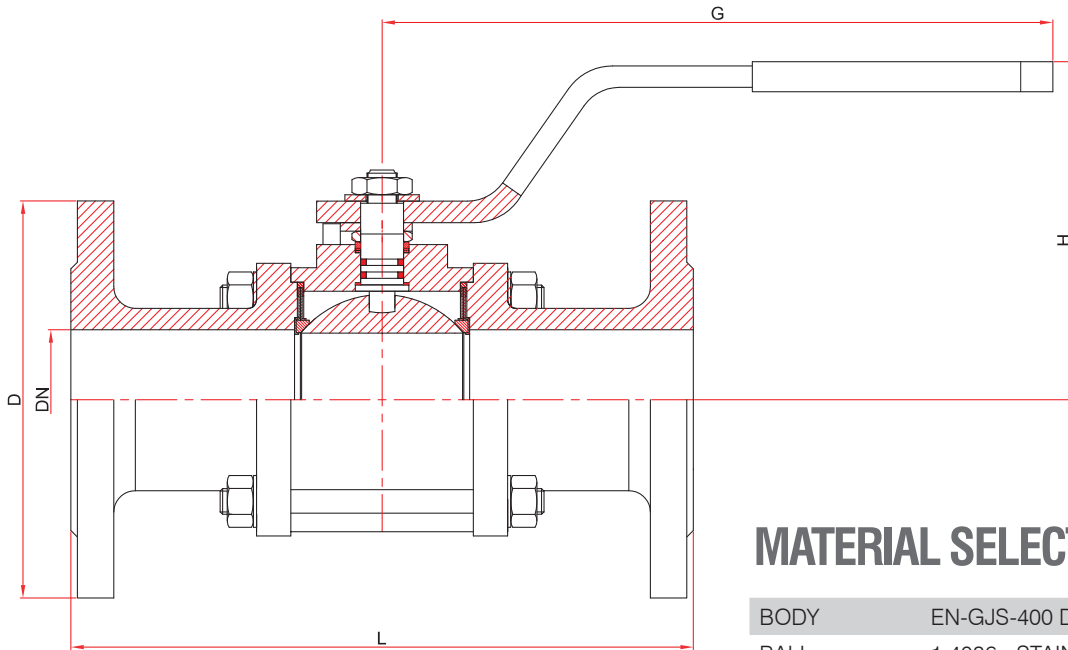
APPLICATIONS

Natural Gas, Superheated Water, Steam, Fluids without acidity or alkalinity properties, LPG

TEMPERATURE

+200 °C

TECHNICAL DRAWING



MATERIAL SELECTION

BODY EN-GJS-400 DUCTILE IRON (GGG40)

BALL 1.4086 - STAINLESS STEEL
 1.4016 - STAINLESS STEEL
 1.4301 - AISI 304 STAINLESS STEEL
 1.4401 - AISI 316 STAINLESS STEEL

STEM 1.4021 - AISI 420 STAINLESS STEEL
 1.4301 - AISI 304 STAINLESS STEEL
 1.4401 - AISI 316 STAINLESS STEEL

SEALING TEFLON (PTFE)

COATING INDUSTRIAL EPOXY

DN	DIMENSION				RATINGS			STUD SIZE	BOLT / NUT QTY	FASTENING MOMENT Nm	WRENCH SIZE (mm)
	Ømm	D	L	H	G	KV m ³ / h	Tork Nm				
15	95	130	95	160	18	12	2,8	M12X50	4X2	85	19
20	105	150	110	180	35	12	4,3	M12X55	4X2	85	19
25	115	160	115	180	65	12	5,3	M12X55	4X2	85	19
32	140	180	130	250	115	12	7	M16X70	4X2	205	24
40	150	200	130	300	190	12	9,2	M16X70	4X2	205	24
50	165	230	140	310	310	12	12	M16X75	4X2	205	24
65	185	290	155	310	600	45	18,5	M16X80	8X2	205	24
80	200	310	165	310	950	95	25,3	M16X80	8X2	205	24
100	235	350	210	500	1630	175	34	M20X90	8X2	400	30
125	270	400	225	500	2700	290	68,5	M24X100	8X2	691	36
150	300	450	260	700	5000	345	114	M24X110	8X2	691	36