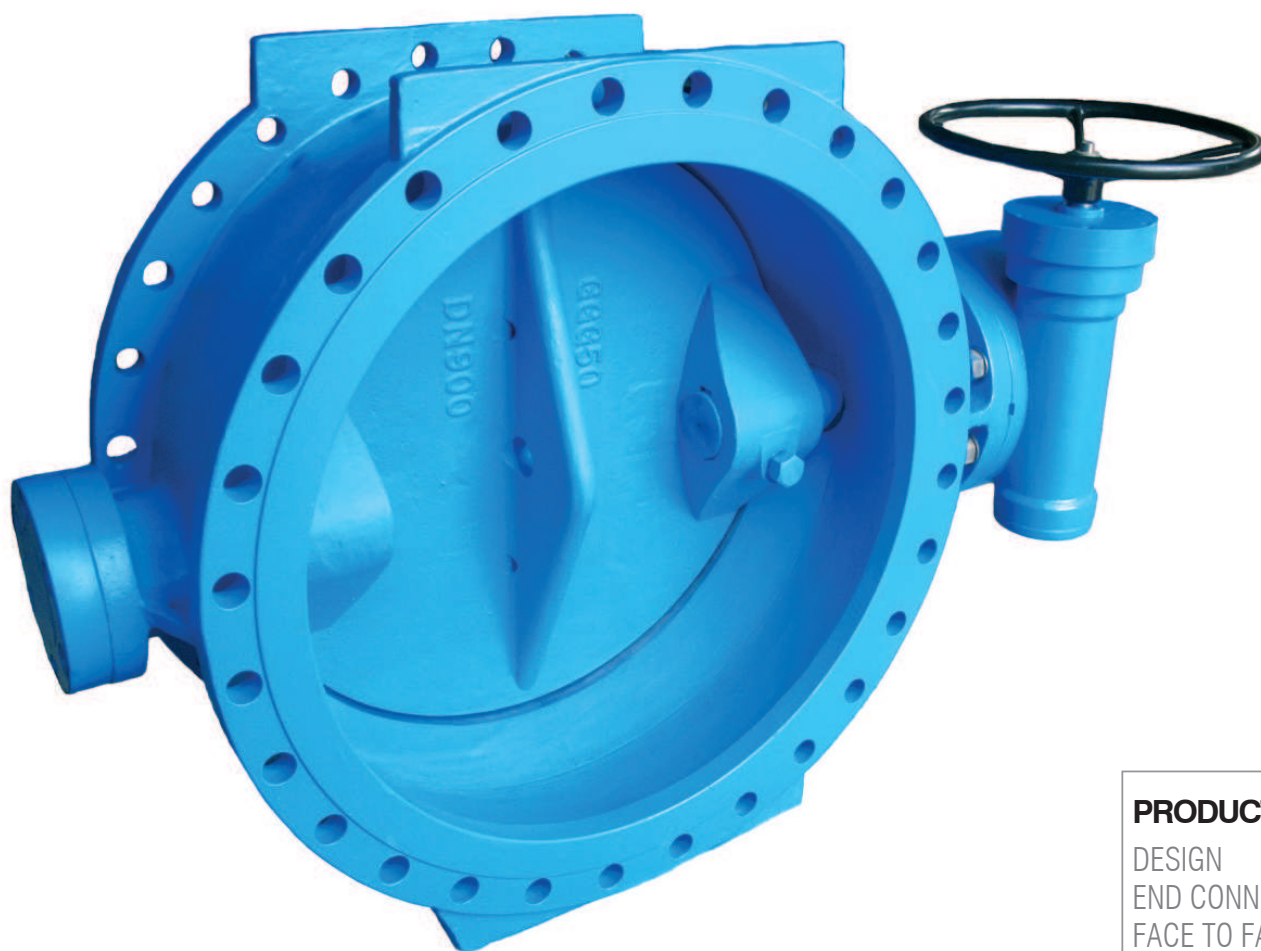


BUTTERFLY VALVE / 3800 FLANGED - DOUBLE ECCENTRIC



PN10-16-25
DN100 → DN2000

PRODUCTION STANDARDS

DESIGN	TS EN 593
END CONNECTION	FLANGED TS EN 1092-2 / ISO 7005-2
FACE TO FACE	TS EN 558 Seri 14 / DIN 3202 F4
TEST	TS EN 12266-1
MARKING	TS EN 19

FEATURES

- FAF3800 Flanged Butterfly Valve with Double Eccentric Disc is operating by %100 tight sealing through quarter turn (90 degree) disc rotating around its own axis, the gasket fixed to the outer diameter of the disc and stainless steel welding filled to the inner walls of the valve body
- Through its body and disc made of ductile iron, it can resist to high tension stresses that may occur on the pipelines. High impact resistance
- The disc designed in accordance with the flow direction decreases head loss
- The sealing that can be made of EPDM or NBR materials can be dismantled and replaced easily on field conditions
- Inner and outer surfaces of the valve is coated with 300 microns thickness of fusion bonded epoxy
- The valve can be controlled with lower torques through the gearbox mounted on its top flange
- Actuators can be installed directly without any need for additional intermediary parts.

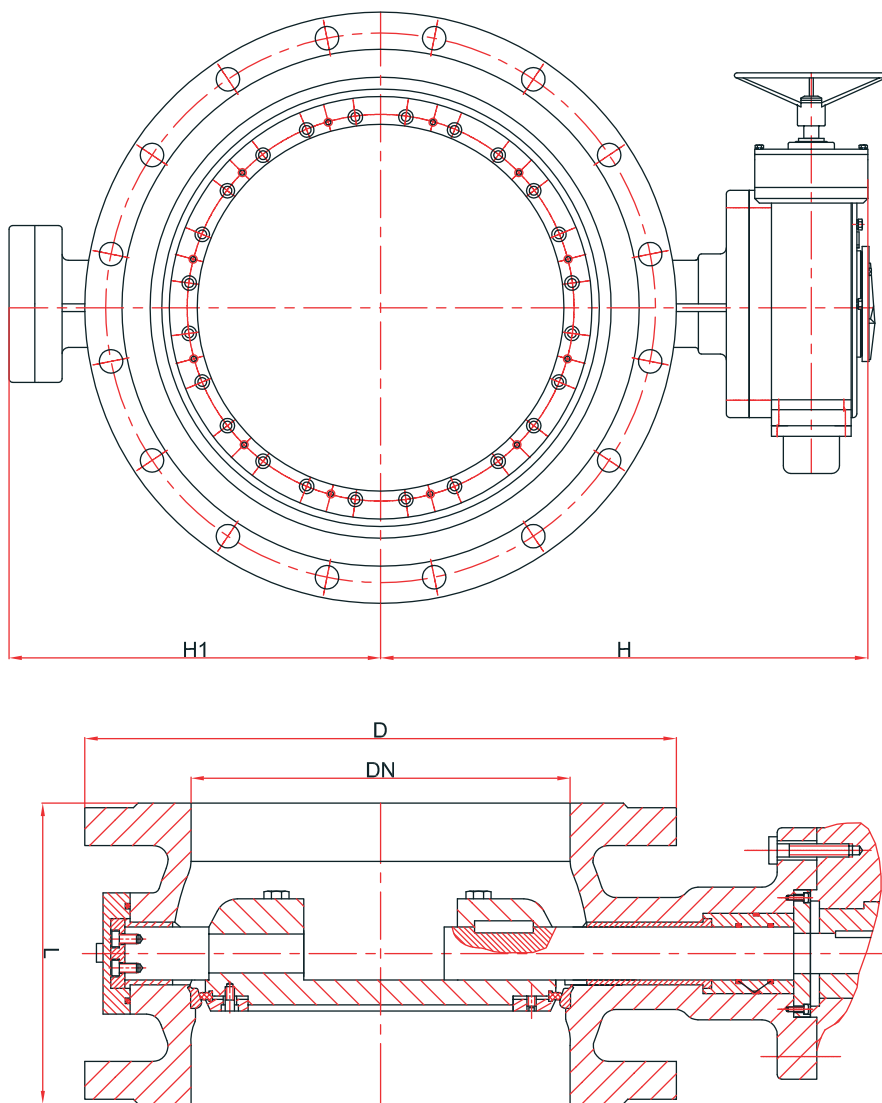
APPLICATIONS

Waste Water, Distribution Lines, Water Treatment, HVAC

TEMPERATURE

- +130 °C (EPDM)
- +100 °C (NBR)

TECHNICAL DRAWING



MATERIAL SELECTION

BODY	EN-GJS-400 DUCTILE IRON (GGG40) EN-GJS-500 DUCTILE IRON (GGG50)
DISC	EN-GJS-400 DUCTILE IRON (GGG40) EN-GJS-500 DUCTILE IRON (GGG50)
STEM	1.4021 - AISI 420 STAINLESS STEEL
SEALING	EPDM NBR VITON
COATING	ELECTROSTATIC POWDER EPOXY

DN	PN 10						PN 16						PN 25					
	DIMENSION				RATINGS		DIMENSION				RATINGS		DIMENSION				RATINGS	
Ømm	D	L	H	H1	Tork Nm	Weight kg	D	L	H	H1	Tork Nm	Weight kg	D	L	H	H1	Tork Nm	Weight kg
100	220	190	212	135	70	35	220	190	212	135	70	35	235	190	212	135	70	38
125	250	200	225	140	70	40	250	200	225	140	70	40	270	200	225	140	70	44
150	285	210	237	162	80	45	285	210	237	162	80	45	300	210	237	162	80	50
200	340	230	318	180	80	57	340	230	318	180	80	57	360	230	318	180	80	60
250	395	250	355	215	100	70	405	250	355	215	100	70	425	250	355	215	100	75
300	445	270	390	250	115	120	460	270	390	250	115	130	485	270	390	250	115	135
350	505	290	425	275	115	150	520	290	425	275	115	162	555	290	425	275	115	168
400	565	310	465	310	125	190	580	310	465	310	125	198	620	310	465	310	125	205
450	615	330	500	350	150	210	640	330	500	350	150	225	670	330	500	350	150	235
500	670	350	545	375	160	240	715	350	545	375	160	270	730	350	545	375	160	285
600	780	390	630	440	175	380	840	390	630	440	175	430	845	390	630	440	175	448
700	895	430	705	500	185	450	910	430	705	500	185	490	960	430	705	500	185	532
800	1015	470	765	560	185	665	1025	470	765	560	185	705	1085	470	765	560	185	750
900	1115	510	850	635	230	880	1125	510	850	635	230	957	1185	510	850	635	230	1002
1000	1230	550	920	710	290	1130	1255	550	920	710	290	1246	1320	550	920	710	290	1338

Valves can be produced with bigger sizes when requested.